



DULEVO
FAYAT GROUP



850

Street Sweeper - USA



Efficiency everywhere

Designed for the heart of the city and environment, combining remarkable sweeping capability with excellent manoeuvrability.



Maximum efficiency

The adjustable working width of the side brushes guarantees maximum cleaning in all conditions.

Maximum suction

The suction mouth and powerful suction turbine are able to efficiently collect materials such as gravel, sand and bulky fragments.



Maximum autonomy

The large capacity of the water tank ensures maximum operating autonomy by reducing downtime.



Maintenance simple

It guarantees the highest levels of performance in every context, while reducing consumption compared to the past.

Accessibility

Maintenance hatch under the driver's seat for checking and cleaning the suction pipe.

Easy maintenance

free of electronic components, with belt drive.

Quick assistance

Water tanks located to the side and easily removable.

Access to all main components for maintenance and repair.





Designed for People

A comfortable and pleasant sweeper to use even after many hours of work.



Safe driving

Large standard tyres, axle suspension and optimal weight distribution ensure a safe and balanced ride.

Powerful transmission

Thanks to its powerful transmission, the machine can also be used in difficult conditions and on slopes.



Manoeuvrability

La sterzata mediante lo snodo centrale dei due semitelai, sincronizzata e con idroguida, rende di gran lunga più semplici anche le manovre più complesse.



Adaptable to different needs of sweeping

Different sweeping solutions depending on the environment or the type of material to be collected.

Side brushes

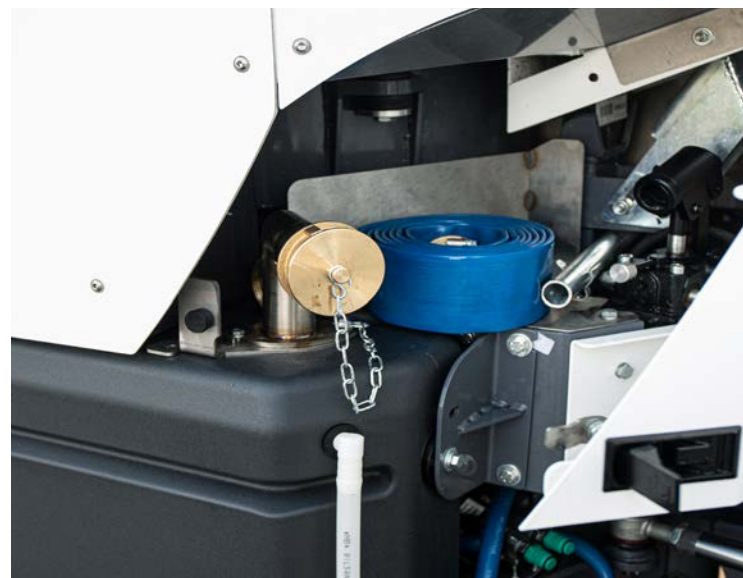
Full-movement side brushes are ideal for sweeping corners and gutters and for increasing the working surface..

Visibility

the convex front glass facilitates daily operations on the mouth and suction hose

Accessories

A high-pressure unit and a manual suction hose can be added as optional working tools to extend the range of possible operations





Reduced impact environmental impact

The high technology of the Dulevo 850 allows for an environmentally friendly machine.



Low engine emissions

Euro 6C engine. The engine complies with the latest European regulations on of emissions.

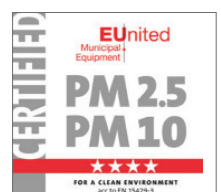
Reduced consumption of water

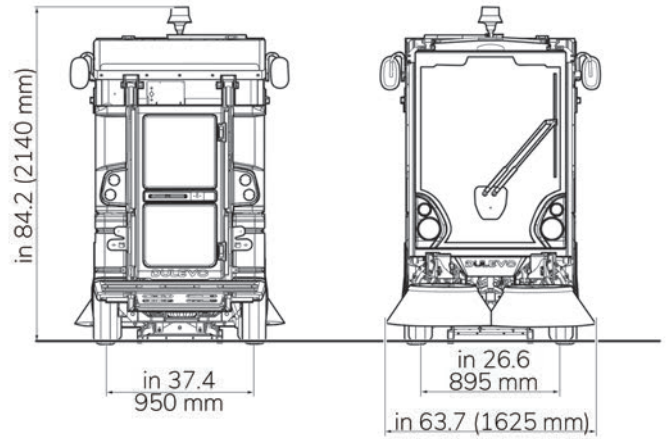
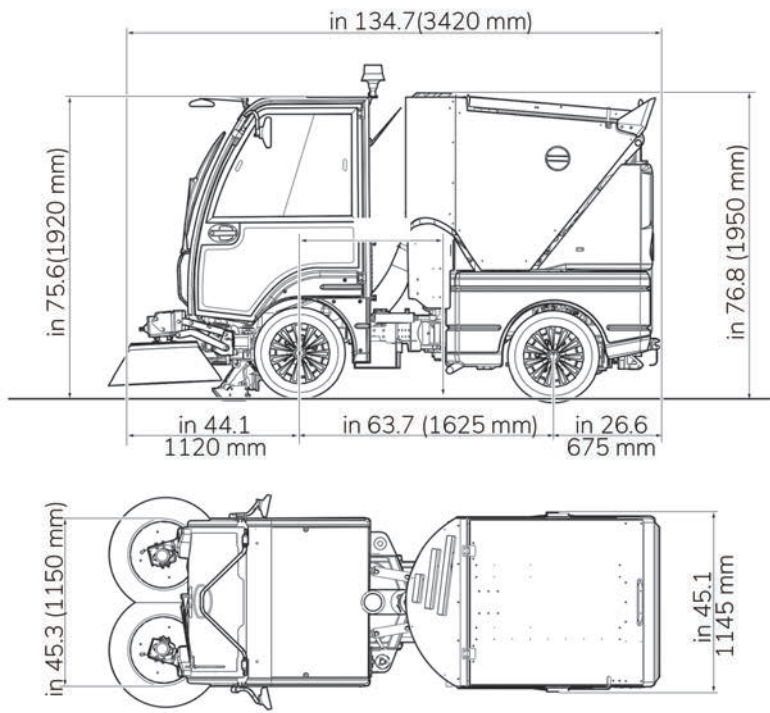
The Dulevo recycling system allows the machine to work while drastically reducing water consumption.



Low sound power- sound power

Inferiore ai 100 db grazie al Load Sensing.





Technical data

850 USA

Variable sweeping width	in	59.1 - 72.9 (mm 1500 - 1850)
Grosse volume capacity	yd ³	0,87 (m ³ 0,66)
Grosse volume capacity OPT	yd ³	1,13 (m 0,86)
Dumping height	in	56 (mm 1420)
Seats in the cabin	n°	1
Cleaning performance	ft ² /h	238872 (m ² /h 22.000)
Maximum speed	mph	16, 8 (Km/h 27)
Turning diameter (kerb to kerb)	ft	18,4 (mm 5600)
PM Certification		PM 2,5/PM10 ^{****}
Brand engine		Yanmar
Engine emissions		Tier 4 (Step V)
Fuel		Diesel



Specifications are not binding for our company and subject to change at any time without notice..



DULEVO
FAYAT GROUP



Dulevo International S.p.A.
Via Giovannino Guareschi, 1
43012 Fontanellato (PR) Italia
Tel: +39-0521-827711
Fax: +39-0521-827795
www.dulevo.com