



850
Street sweeper **US**

 **DULEVO**
FAYAT GROUP



The Dulevo 850 suction street sweeper is designed for the heart of the city and environment, combining remarkable sweeping capability with excellent manoeuvrability.



Environmental awareness and Dulevo belongs together since time immemorial. Low noise and dust emission belongs as well as low water and fuel consumption to the basic concept of the 850. The engine respects the latest US emission regulations.



850

The 850 is reaching due to the flexible adjustable working width of the side brushes a maximum of productivity. The unique suction mouth and the powerful suction turbine pick up highly effective material as grit, sand and bulky debris. The large water capacity ensures highest operating autonomy and reduces resetting times. The performance can be increased by the optional and innovative recycling system.





The innovative, modular structure, without the use of electronics, the belt-driven components and the easily removable side-mounted water tanks, simplify the access to all important components for service and maintenance. An additional maintenance hatch below the driver's seat and the button window support easy daily interventions on the suction mouth and hose.





850

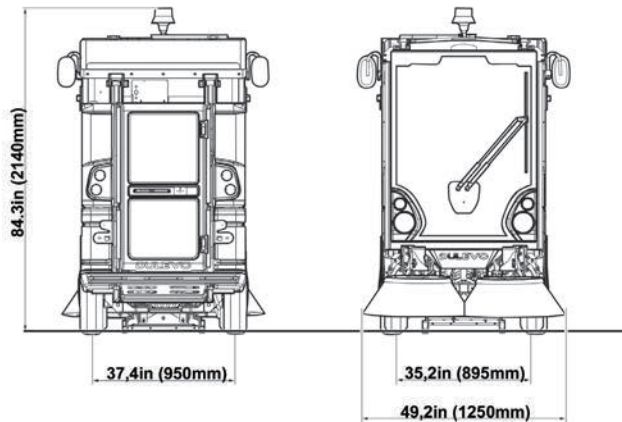
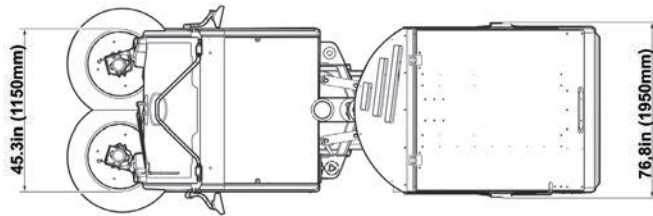
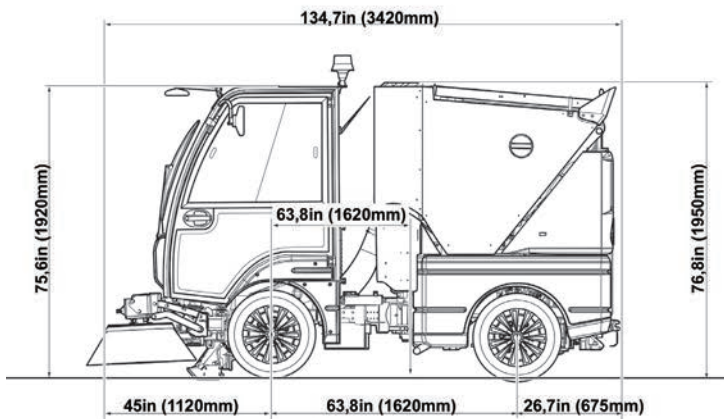
In addition to the application specifications, the ergonomics and operators comfort are a priority. The over-sized standard tires, axles suspension and ideal weight distribution insure a balanced and safe driveability. The powerful drive transmission ensure the use in difficult conditions and on slopes. The hydraulically assisted steering greatly simplify complex manoeuvres.





The full motion side brushes are excellent for sweeping corners, gutters and for increasing the working width. The large button window allows the operator perfect view on the suction mouth. As additional working tools a high pressure unit and a manual suction hose can be fitted optionally to enlarge the working spectrum.





850

Technical data

		850
Variable sweeping width	in	59.1 (mm 1500-1850)
Grosse volume capacity	yd ³	0.87 (m ³ 0,66)
Grosse volume capacity OPT	yd ³	1.13 (m ³ 0,86)
Dumping height	in	56 (mm 1420)
Seats in the cabin	n°	1
Cleaning performance	ft ² /h	238872 (m ² /h 22.000)
Maximum speed	mph	16.8 (Km/h 27)
Turning diameter (kerb to kerb)	in	18.4 (mm 5600)
PM Certification		PM 2,5/PM10****
Brand engine		Yanmar
Engine emissions		Step V / Tier 4
Fuel		Diesel



COD. F03N8U0000 Ed. 01-2021 © (copyright) 2014 Dulevo International S.p.a.

Specifications are not binding for our company and subject to change at any time without notice.

Dulevo Americas Inc.
7780 NW 56th Street Doral
33166 Miami (FL) USA
Tel: (305) 677-0555
Fax: (305) 677-0555
www.dulevo.us

Dulevo International S.p.A.
Via Giovannino Guareschi, 1
43012 Fontanellato (PR) Italia
Tel: +39-0521-827711
Fax: +39-0521-827795
www.dulevo.com

